

# AiM User Guide

Kit for EVO4, Solo and SoloDL  
on Suzuki GSX-R

Release 1.02

---



KIT





# 1

## Models and years

---

This user guide explains how to install AiM Solo and SoloDL on Suzuki GSX-R bikes and how to connect EVO4 and SoloDL to the Engine Control Unit (ECU) of the bike. Supported models and years are different for Solo, SoloDL and EVO4.

Brackets for Solo and SoloDL installation are available for the following models/years

- GSX-R1000 2001-2004 and 2009-2014
- GSX-R750 2001-2014
- GSX-R600 2001-2014

EVO4 and SoloDL connecting cable are available for the following model/years:

- GSX-R1000 2005-2014
- GSX-R750 2006-2014
- GSX-R600 2006-2014

**Please note:** not all combinations are available. With reference to the tables above, no bracket is available for SoloDL on GSX-R 1000 from 2005 to 2008 included.

# 2

## Kit content and part number

---

Here follow part numbers of GSX-R installation kit with bracket and ECU interface cable as well as for ECU interface cables only.

## 2.1 SoloDL kit

---

SoloDL installation kit is shown here below; part number is: **V02569140CS**.



The kit includes:

- 1 bracket (1)
- 1 8x45 pan head Allen screw (2)
- 1 toothed washer (3)
- 2 4x10 Allen screws with countersunk head (4)
- 1 rubber loose piece (5)
- 1 AiM interface cable for Suzuki GSX-R (6)

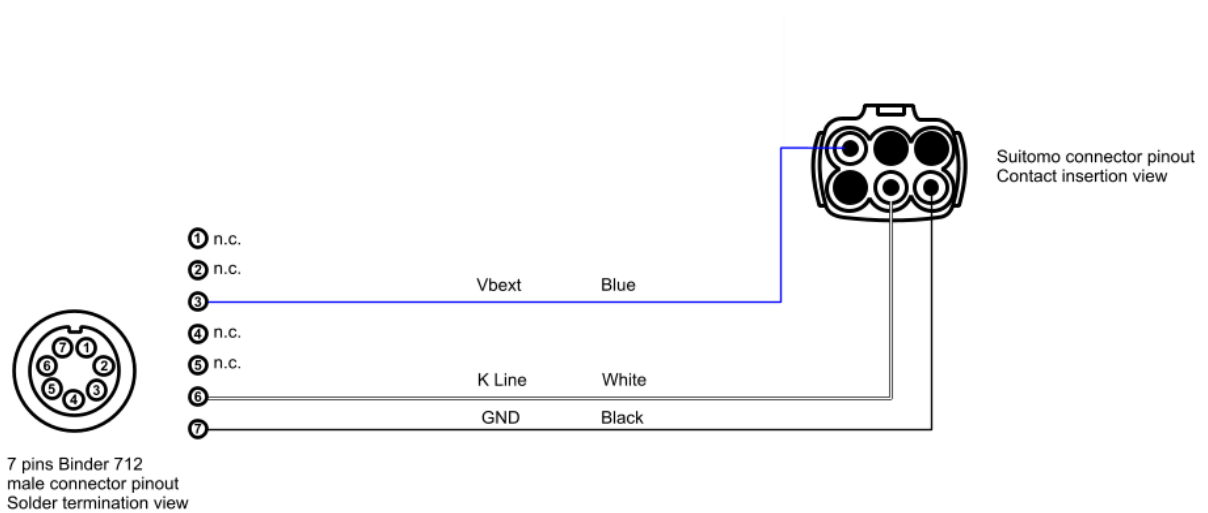
AiM SoloDL bracket kit for Suzuki GSX-R 1000 2009-2014 can also be bought separately as spare part. Its part number is: **X46KSSGSXR**.

## 2.2 AiM cable for SoloDL

Suzuki GSX-R cable for SoloDL is shown below; its part number is: **V02569140**.



Here below cable constructive scheme is showed.

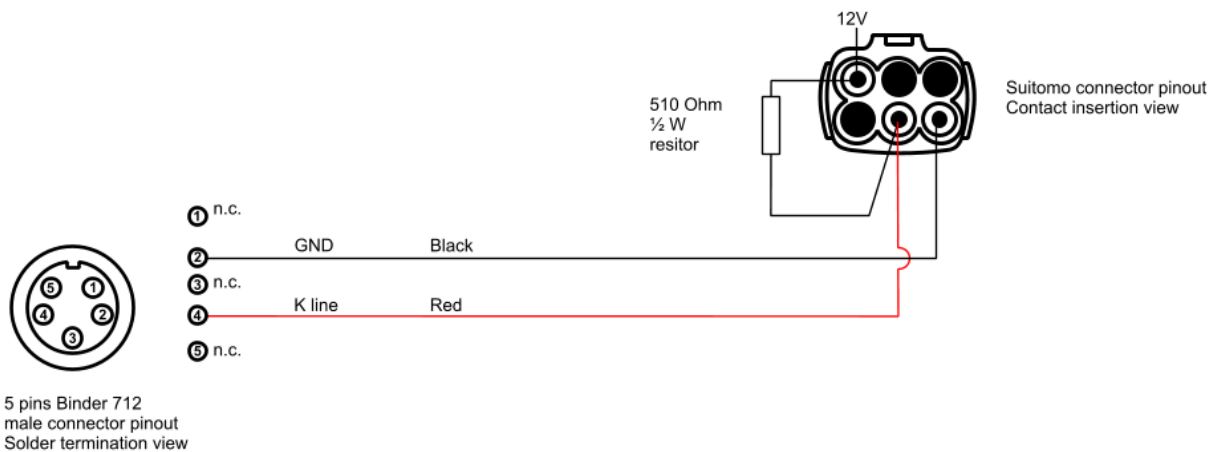


## 2.3 AiM cable for EVO4

Suzuki GSX-R cable for EVO4 is shown below; its part number is: **V02563140**.



The cable has a built in resistor for K Line signal management. Here below cable constructive scheme is showed.



## 3

# Installation and connection

---

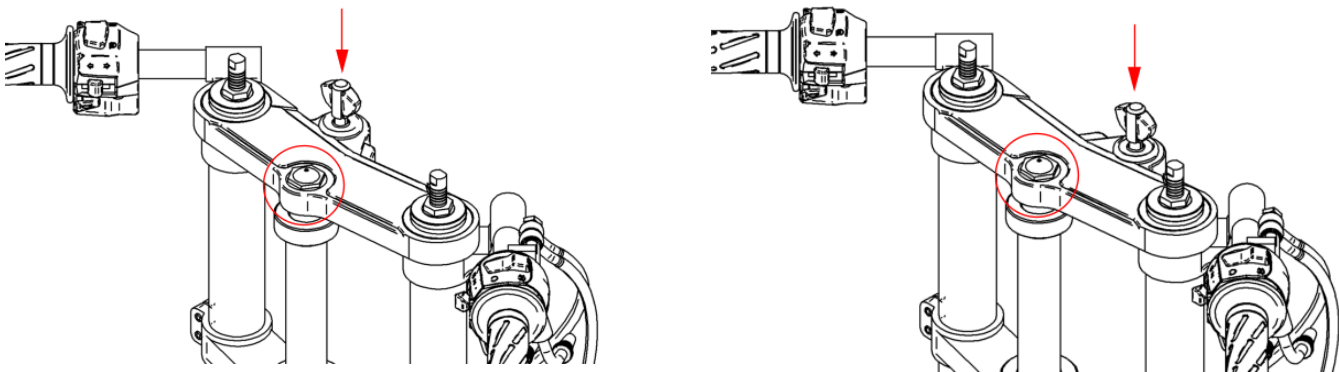
Here you find the instructions to install Solo and SoloDL and to connect EVO4 and SoloDL to your Suzuki GSX-R bike ECU. EVO4 cable is long enough to allow installation of the logger under the bike seat.

## 3.1

# Installation of Solo and SoloDL

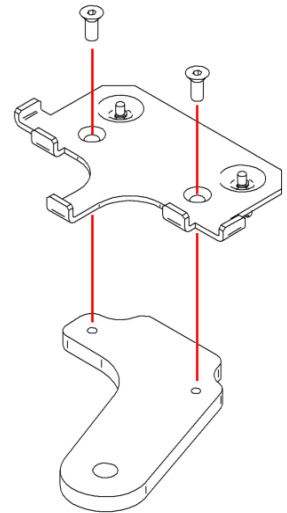
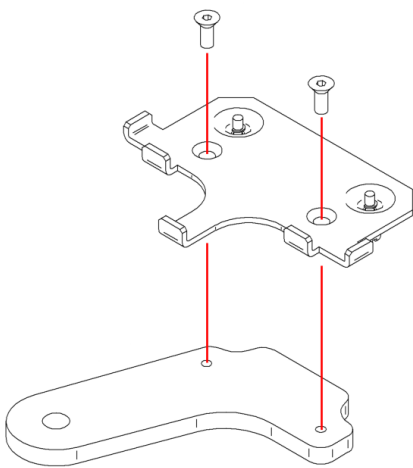
---

As shown here below Suzuki GSX-R bike ignition block can be on the left or on the right of the handle bar hinge:

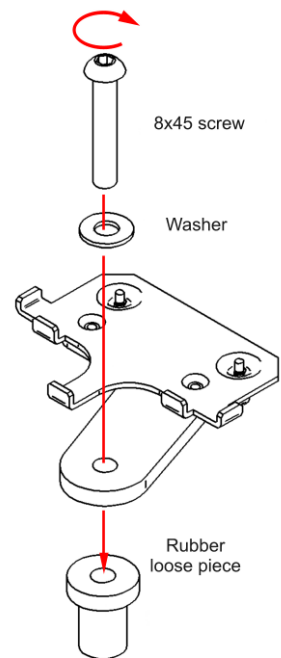
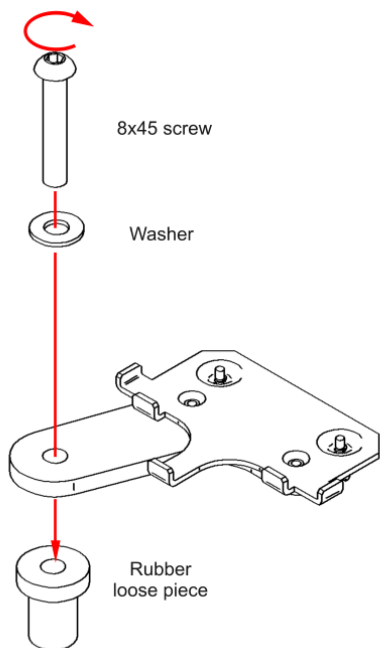




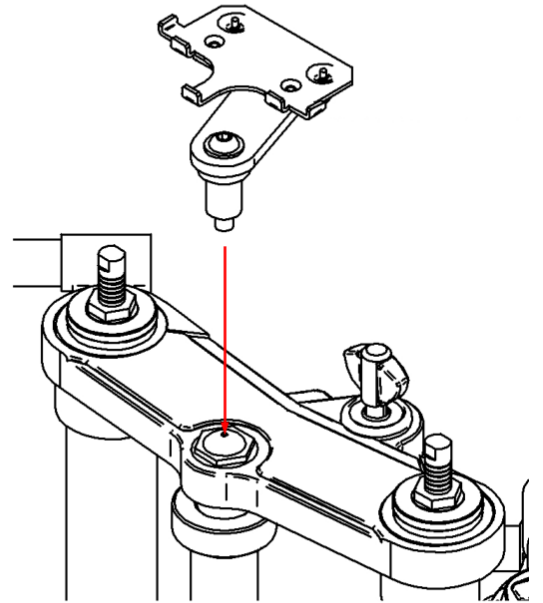
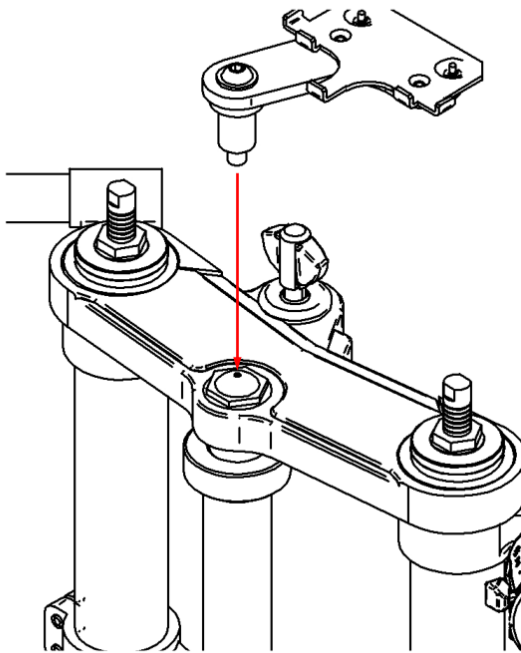
Fix Solo/SoloDL bracket to the adapter bracket for Suzuki GSX-R using the two countersunk screws you find in the kit.



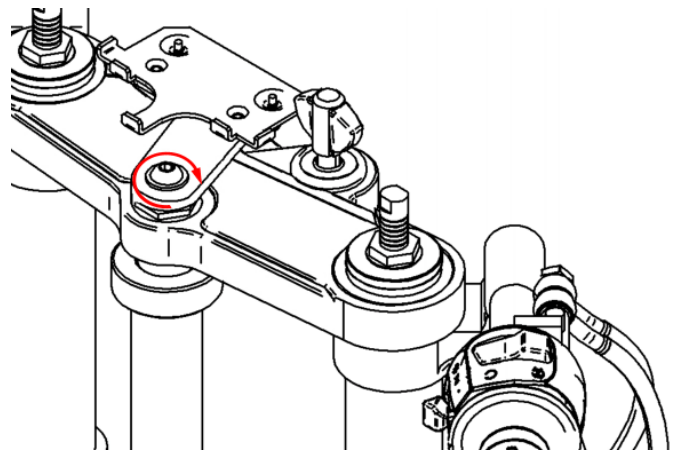
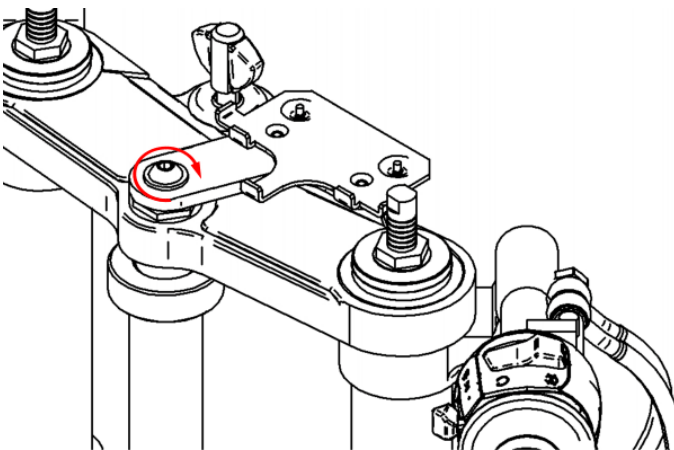
Screw the 8x45 pan head Allen screw in the toothed washer and screw the rubber loose piece under Suzuki adapter bracket.



Insert the assembled kit in the handle bar hinge until the distance piece abuts the hinge.

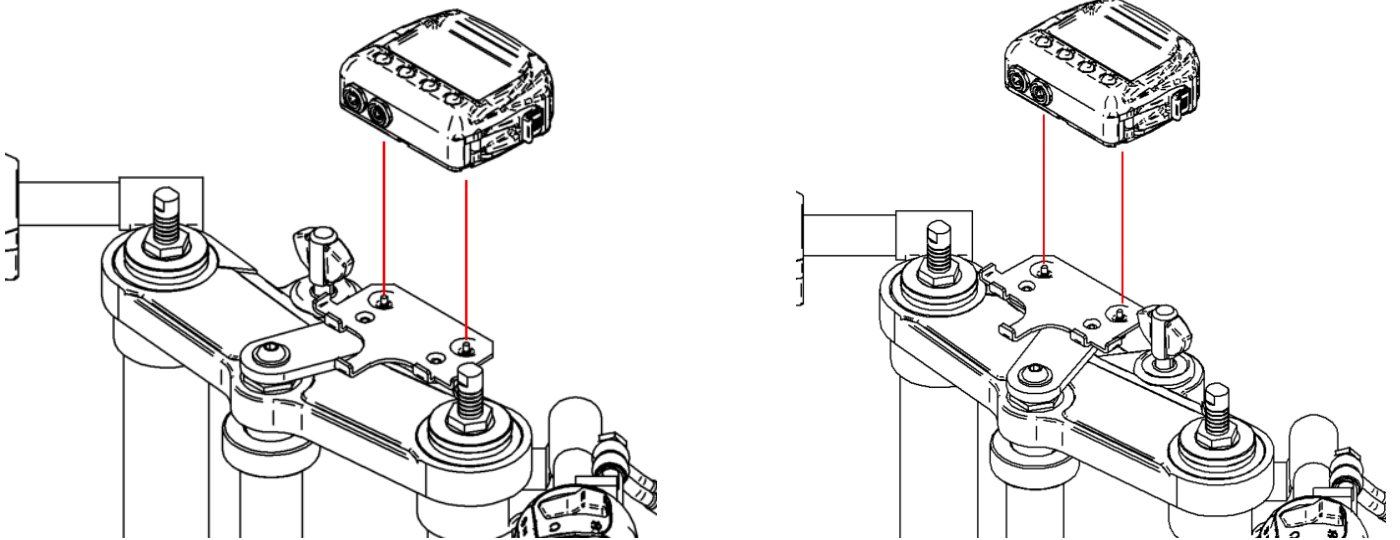


Tighten the central screw on the hinge so that this last grips.

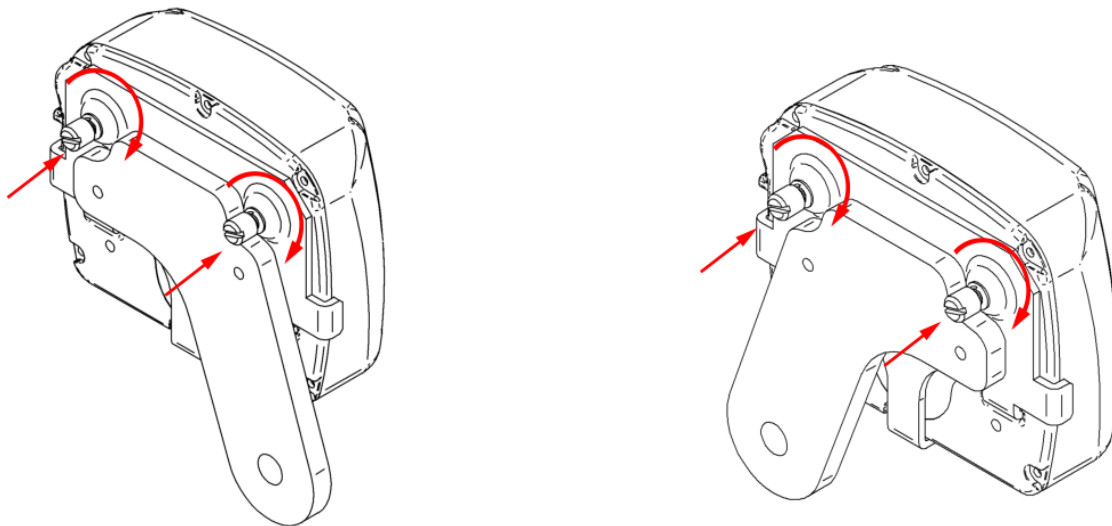




Hook Solo/SoloDL to its bracket



Fix it using the screws already inserted rear on Solo/SoloDL bracket.



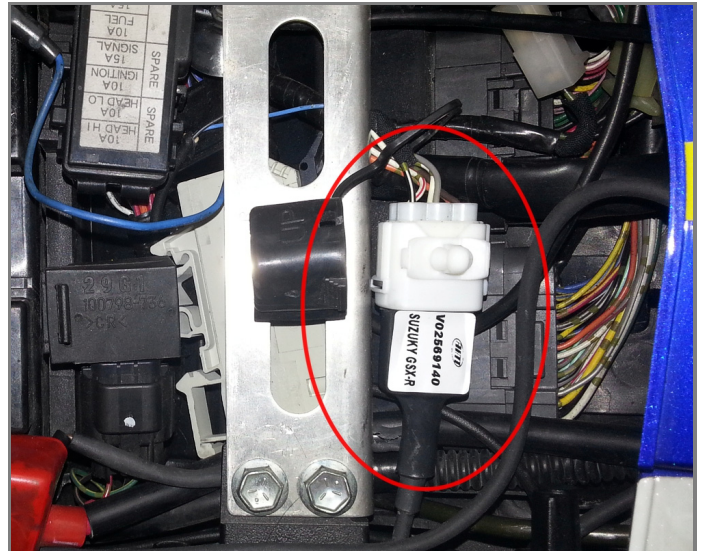
The image here below shows SoloDL correctly installed.





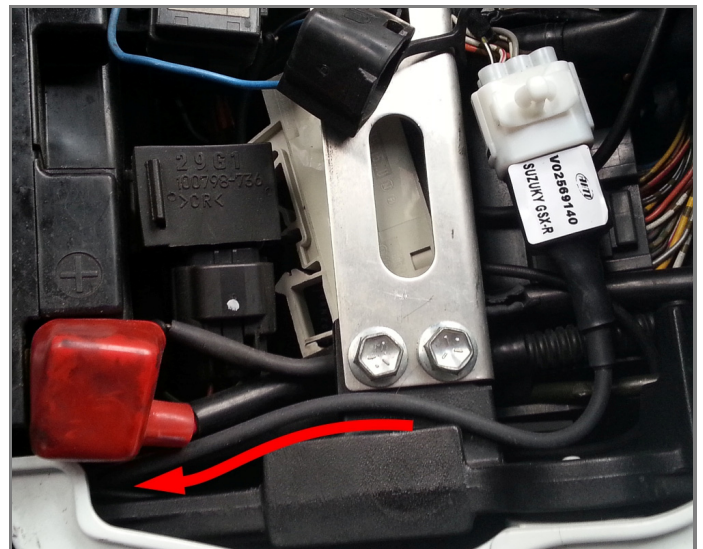


Connect AiM wiring to Suzuki wiring as here on the right.



If you have installed an AiM **EVO4** logger take the cable to the logger.

If you have installed an AiM **SoloDL** make the cable pass along the saddle frame as shown here on the right.



Make the cable pass between the fuel tank and the chassis as in the image on the right.

Please avoid positions where the cable would be exposed to direct heat.



Connect the cable to SoloDL as here on the right.



## 4

# Configuring with Race Studio 2

Before connecting SoloDL/EVO4 to the ECU set it up as connected to that ECU using Race Studio 2 software.

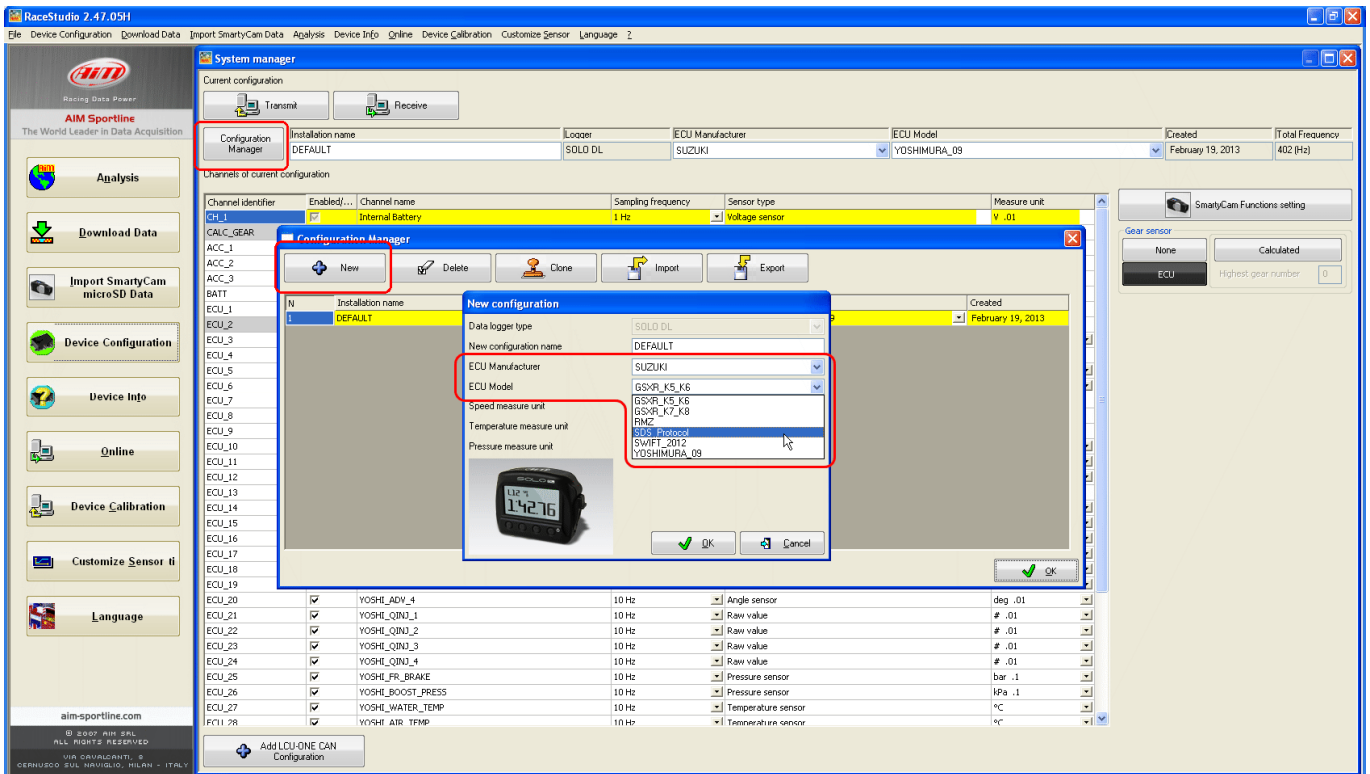
## 4.1

# Configuring SoloDL

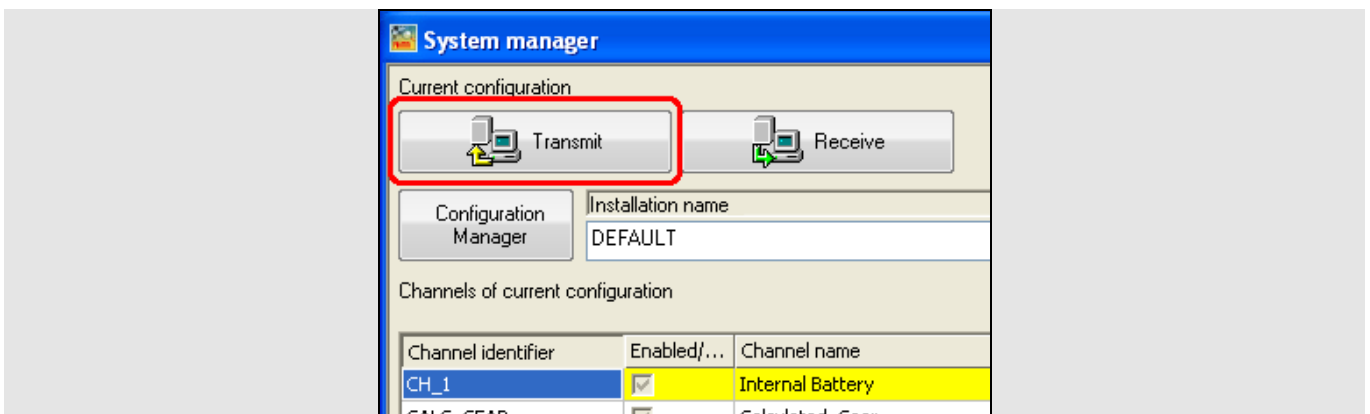
Run the software, press “Device Configuration” on the software left keyboard and select “SoloDL” in the panel that shows up as below.



The software shows SoloDL configuration page: press “Configuration Manager” and select the configuration you want to use or press “New” to create a new one. In this second case “New Configuration” panel appears: select ECU Manufacturer “Suzuki” and ECU model “SDS\_Protocol” as shown below.



Confirm pressing “OK” in both panels and transmit the configuration to SoloDL pressing “Transmit” as shown below.





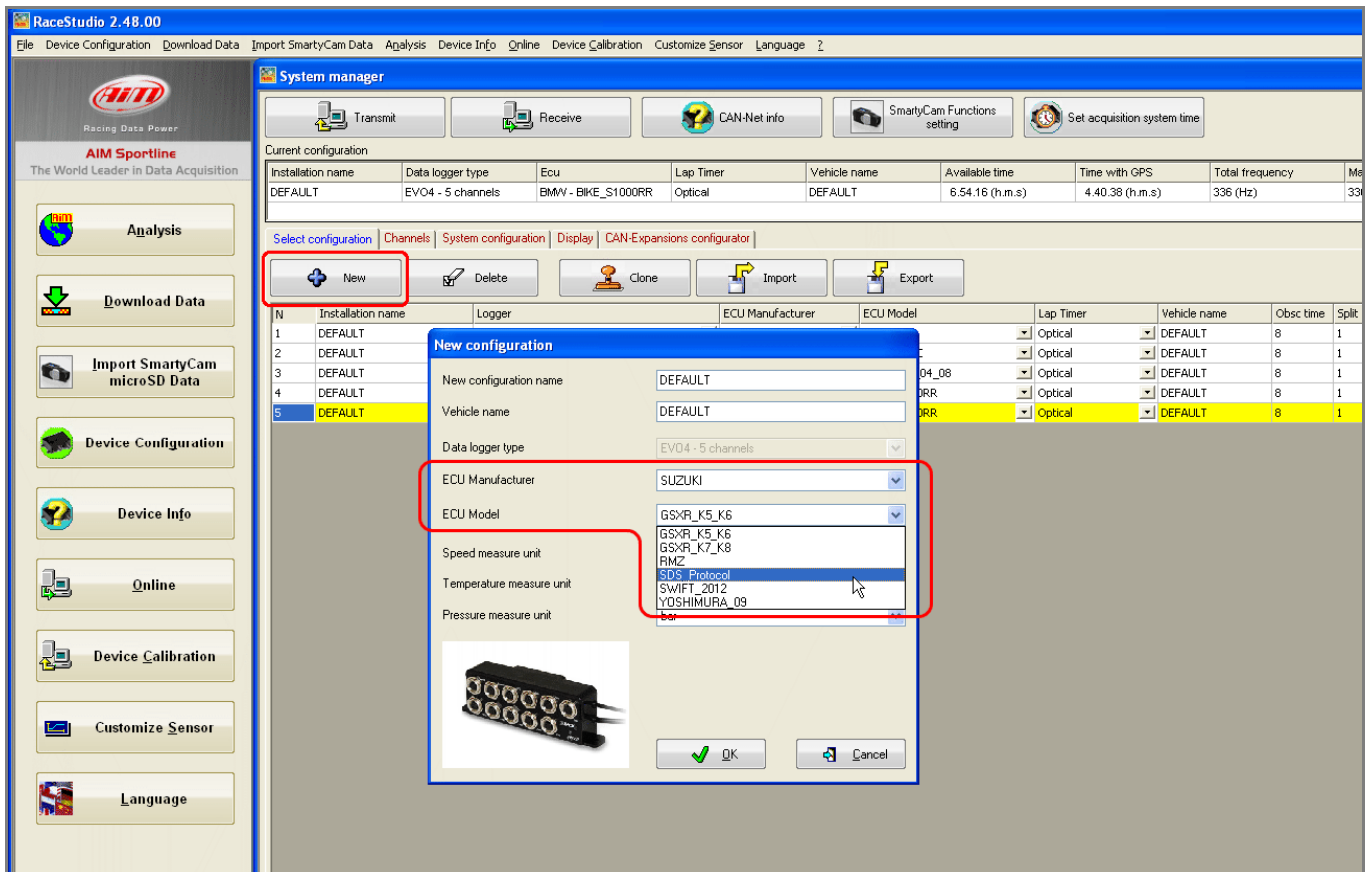
## 4.2 Configuring EVO4

Run the software, press “Device configuration” on the software left keyboard and select “EVO4” in the panel that shows up on the right as here below.

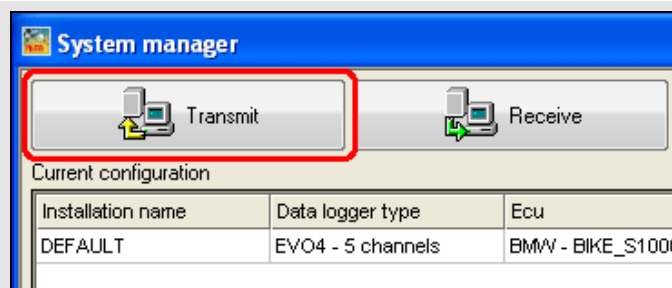




The software shows EVO4 configuration page: select the configuration you want to use or press “New” to create a new one. In this second case “New configuration” panel shows up: select ECU Manufacturer “Suzuki” and ECU model “SDS\_Protocol” as shown below.



Confirm pressing “OK” and transmit the configuration to EVO4 pressing “Transmit”.



## 5

# Suzuki SDS protocol

---

Channels received by SoloDL and EVO4 connected to Suzuki "SDS\_Protocol" are:

<b>ID</b>	<b>CHANNEL NAME</b>	<b>FUNCTION</b>
ECU_1	SDS_RPM	RPM
ECU_2	SDS_TPS	Primary throttle position
ECU_3	SDS_GEAR	Engaged gear
ECU_4	SDS_BATT_VOLT	Battery Supply
ECU_5	SDS_CLT	Engine coolant temperature
ECU_6	SDS_IAT	Intake air temperature
ECU_7	SDS_MAP	Manifold air pressure
ECU_8	SDS_BAROM	Barometric pressure
ECU_9	SDS_BOOST	Boost pressure
ECU_10	SDS_AFR	Air/Fuel ratio
ECU_11	SDS_NEUT	Neutral signal
ECU_12	SDS_CLUT	Clutch switch
ECU_13	SDS_FUEL1_pw	Fuel injector 1
ECU_14	SDS_FUEL2_pw	Fuel injector 2
ECU_15	SDS_FUEL3_pw	Fuel injector 3
ECU_16	SDS_FUEL4_pw	Fuel injector 4
ECU_17	SDS_MS	Mode selector
ECU_18	SDS_XON_ON	XON switch
ECU_19	SDS_PAIR	Air pressure
ECU_20	SDS_IGN_ANG	Ignition angle
ECU_21	SDS_STP	Secondary throttle position